

MS Table 2B Hi-Flow

Part number: 10-1028



Description

The MS table has been designed as a Sciex exclusive product to house the Triple Quad™, QTRAP™ or IVD MS systems. The MS table comes in a standard and premium form, the premium version including an inbuilt Infinity 1031 allowing the supply of curtain, source and exhaust gases. Furthermore, the MS Table also functions as an accessible sound proof enclosure for the required vacuum pumps for these applications.

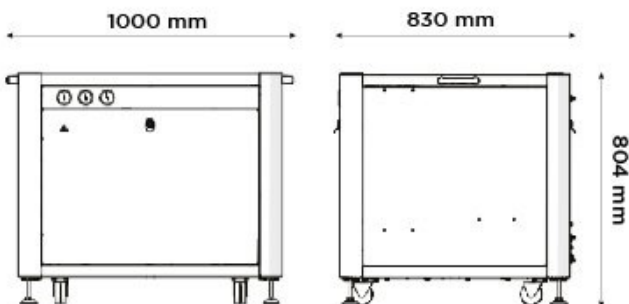


Generator Details

- **Gas types:** Air
- **Integrated compressor:** No

Key Features

- Table designed to hold Sciex Mass Spectrometer
- Can be supplied on its own or with an integrated Infinity 1031 compressor-less nitrogen generator
- Reduced lab footprint
- Minimal set-up required
- Sound proofed, reducing noise of generator



Technical Specifications

MS Table 2B Hi-Flow

Gas Type	Air
Min Inlet Pressure:	120psi/8.3bar
Max Inlet Pressure:	145psi/10bar
Frequency:	50 / 60 Hz
Size (HxWxD) mm	804 x 1000 x 830 mm
Size (HxWxD) Inches	31.7 x 39.4 x 32.7 inches

[PEAK Protected]TM

Peak Scientific gas generators define the benchmark in reliability, convenience and performance in laboratories around the world, and come backed with a 12 month warranty. Beyond this period however you can ensure that your investment continues to be **[Protected]** by our comprehensive generator care cover.

Our world-class aftercare support packages deliver a program of scheduled preventative maintenance whilst giving you the reassurance of instant access to worldwide technical support and priority on-site response in the untimely event of a breakdown.

- For ordering parts visit: www.peakscientific.com/ordering/
- For service plans visit: www.peakscientific.com/service/service-plans/

Peak Scientific UK
Tel: +44 (0)141 812 8100
Fax: +44 (0)141 812 8200

Peak Scientific North America
Tel: +1-800-767-6532
Fax: +1-978-608-9503

Peak Scientific China
Tel: +86 21 5079 1190
Fax: +86 21 5079 1191
For a full list of our worldwide office locations, please visit:
Web: www.peakscientific.com
Email: discover@peakscientific.com

Peak Scientific's Quality Management System conforms to: ISO:9001

